



WIRELESS RELAY STATION MODEL WRS

WRS



Powered: Adaptor 12 volts DC
Voltage: 12 Volts DC
Communication: Wireless
Power consumption:
 In operation (alarm): 300 mA
 In standby: 100 mA

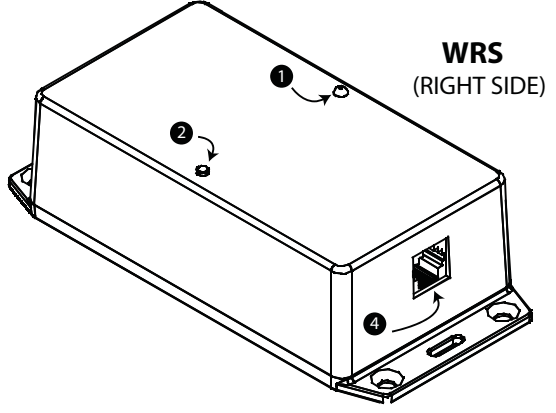
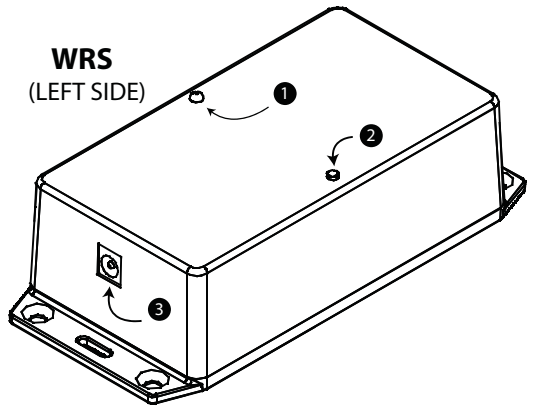
- 1- Led (power)
- 2- Calibration - Test Button
- 3- Power Adaptor Connector
- 4- Association Connector

Wireless Transmission:
 Technology: ZigBee
 Protocol: IEEE 802.15.4
 Frequency: 2.4 GHz
 Range: Regular:30 meters / Pro: 90 meters

Visual Indicators (LED's):

1 LED : Power: The led blinks each second.
 Test: Indicates the strength of signal.

Calibration button: xxxxxxxx
 Test button: Measuring of signal strength



Dimensions: L: 145mm x W: 67mm x D: 40mm
 L: 5.7" x W: 2.6" x D: 1.6"