



## WIRELESS HUB - 4 CHANNELS MODEL WH4

Powered: Adaptor 9-12 volts DC  
Voltage: 12 Volts DC  
Communication: Wireless  
Power consumption:  
    In operation (alarm): 300 mA  
    In standby: 50 mA

### Terminal Inputs:

Detection channels: 4

### Alarm categories:

Detection: Contact of water with detector  
Wirefault: Wire disconnected or broken between WH8-2 & detector.  
Linkfault: Loss of signal between RCN and WH8-2

### WirelessTransmission:

Technology: ZigBee  
Protocol: IEEE 802.15.4  
Frequency: 2.4 GHz  
Range: Regular:30 meters / Pro: 90 meters  
Detectors  
(distance wiring) 30 meters (detector ↔ WH8-2)

### Visual Indicators (LED's):

1 LED : Power: The led blinks each second.  
Test: Indicates the strength of signal.

### DETECTORS:

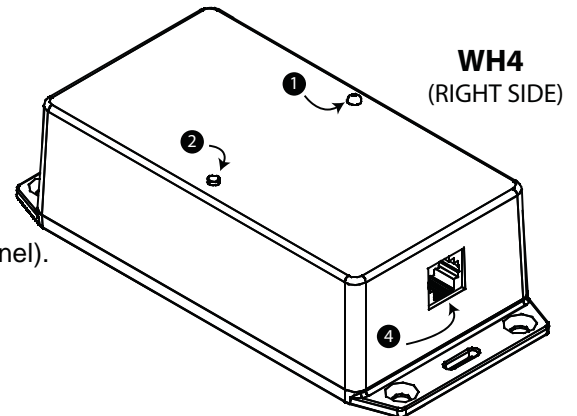
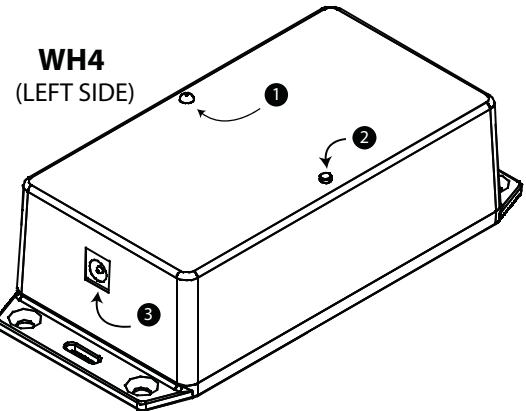
Flexible detector: Model DF1  
Solid detector: Model DS2  
Solid detector +resistance: Model DS2-R (used for wirefault signal)  
Impedance: 500 to 1600 k-ohms  
Connection method: In parallel (if more than one detector per channel).

Calibration button: xxxxxxxx  
Test button: Measuring of signal strength

## WH4



- 1- Led (power)
- 2- Calibration - Test Button
- 3- Power Adaptor Connector
- 4- Association Connector



**Dimensions:** L: 145mm x W: 67mm x D: 40mm  
L: 5.7" x W: 2.6" x D: 1.6"